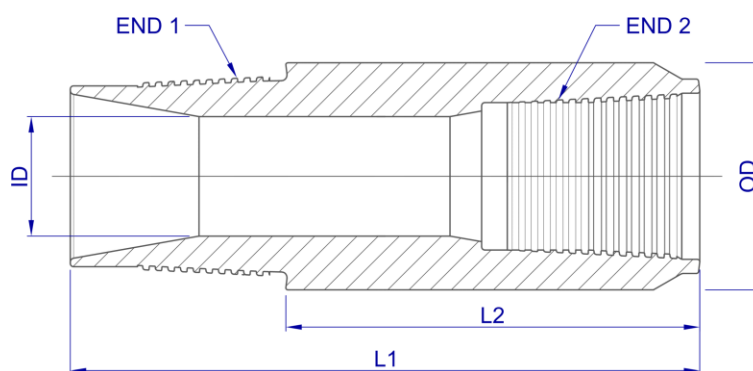


## HolloRod™ Crossover 576 SEC NU to 486 SEC NU

### Dimensions:\*

#### Pin 576 SEC NU to Box 486 SEC NU



End Combination	OD	ID	L1	L2	Weight
Pin 576 SEC NU-LI – Box486 SEC NU	2.217" (56.3 mm)	1.217" (30.9 mm)	6.22" (158 mm)	4.091" (103.9 mm)	2.65 lb(1.2 kg)

\*All values listed are nominal dimensions

### Steel Grades:

End Combination	Available Grades
Pin 576 SEC NU-LI - Box 486 SEC NU	GR125/HS147

### Mechanical Properties:

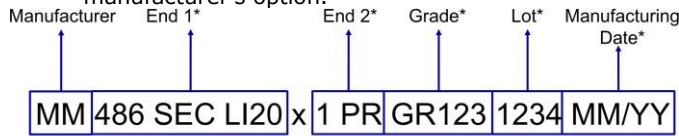
Grade	Tensile			Toughness	Hardness
	Yield Strength (0,2% offset)	Ultimate Tensile Strength	Elongation (2")	CVN@RT Full Size	
GR125	110 to 140 kpsi (758 to 965 MPa)	125 to 155 kpsi (862 to 1069 MPa)	10% Min	-	26-35 HRC
HS147	110 to 140 kpsi (758 to 965 MPa)	125 to 155 kpsi (862 to 1069 MPa)	10% Min	-	26-35 HRC

### Non Destructive Testing:

All raw material is carefully inspected using electromagnetic and/or ultrasonic methods to ensure the soundness of the final product.

## Marking:

Products are marked for its proper identification and traceability using laser engraving or die punching at manufacturer's option.



\*Values shown are for reference only

## Labeling:

		<b>Metalmecánica S.A.</b> Ruta 55 Km. 754,1 Villa Mercedes (San Luis) Made in Argentina	
		BOX N° <b>00000</b>	DATE: <b>07/17</b>
PRODUCT:			
PRODUCT DATASHEET CODE:			
PRODUCT DATASHEET NAME:			
GRADE			
QTY:			
CLIENT:			
SALES ORDER:		NET WEIGHT: (kg)	
DESTINATION:			

## Ordering Information:

When placing an order please attach the following information:

**PDS:** HRX0576SECNU-486SECNU  
**Grade:** HS147  
**End Combination:** Pin 576 SEC NU-LI - Box 486 SEC NU  
**ID:** 30 mm

Tenaris has issued this document for general information only, and the information in this document is not intended to constitute professional or any other type of advice or recommendation and is provided on an "as is" basis. No warranty is given. Tenaris has not independently verified any information -if any- provided by the user in connection with, or for the purpose of, the information contained hereunder. The use of the information is at user's own risk and Tenaris does not assume any responsibility or liability of any kind for any loss, damage or injury resulting from, or in connection with any information contained hereunder or any use thereof. The information in this document is subject to change or modification without notice. Tenaris's products and services are subject to Tenaris's standard terms and conditions or otherwise to the terms resulting from the respective contracts of sale or services, as the case may be. Unless specifically agreed under such contract of sale or services, if Tenaris is required to provide any warranty or assume any liability in connection with the information contained hereunder, any such warranty or liability shall be subject to the execution of a separate written agreement between petitioner and Tenaris. For more complete information please contact a Tenaris's representative or visit our website at [www.tenaris.com](http://www.tenaris.com). All rights reserved. ©Tenaris 2021.