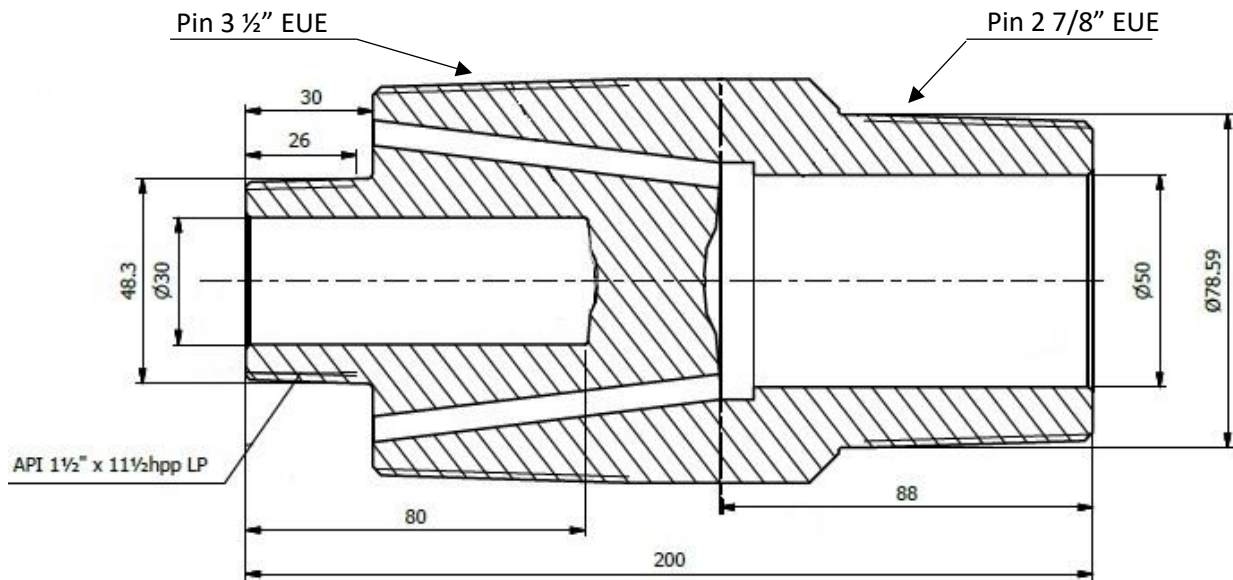


HolloRod™ Flow Diverter 3 1/2" EUE - 2 7/8" EUE

Dimensions:



End Combination	OD	ID1	ID2	L	Nominal Weight
Pin API 3 1/2" EUE – Pin API 2 7/8" EUE	3.752" (95.3 mm)	1.969" (50 mm)	1.181" (30 mm)	7.874" (200 mm)	13.42 lb (6.09 kg)

* The Diverter Flow accessory receives steam injected from the surface and drives it below the pump inlet, two lateral holes will receive the well fluid and drive it to the pump inlet.

Steel Grades:

Made of AISI 4140 steel.

